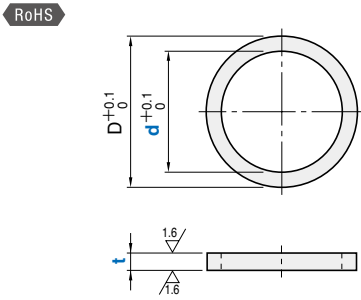


# Washers / Spacers

MMSRB (spacers for male screw stripper bolt)



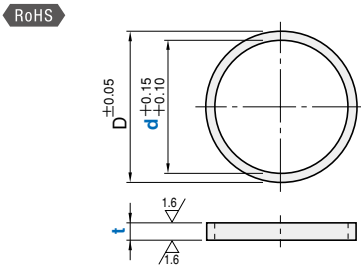
Material: SK85

t	±t
0.1	±0.02
0.2	±0.02
0.3	±0.03

Code No.		t	D	@/P				
Code	d			1~49P	50~99P	100~499P	500~1000P	
MMSRB	*4	0.1	6.5	12	10	6	6	
	4.5		7	12	10	6	6	
	*5		8	12	10	6	6	
	5.5		9	12	10	6	6	
	*6		9	12	10	6	6	
	6.5		10	12	10	6	6	
	8		0.5	13	13	12	8	8
	10		1.0	16	15	14	10	9
	*12		2.0	17	19	17	12	11
	13			18	19	17	12	11
	16			24	22	20	15	14
	20			27	28	26	21	20

\* For d4·5·6·12, t=2.0 is not available.

LLRB (spacers for guide lifter·lifter pin)

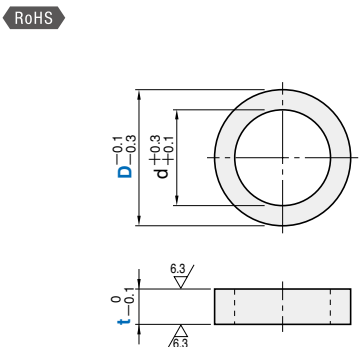


Material: SK85

t	±t
0.1	±0.020
0.2	±0.020
0.3	±0.030

Code No.		t	D	@/P				
Code	d			1~49P	50~99P	100~499P	500~1000P	
LLRB	4	0.1	6	9	8	4	4	
	5		7	10	9	5	5	
	6		8	12	10	6	6	
	8		10	13	12	8	8	
	10		13	15	14	10	9	
	13		0.5	16	18	17	12	11
	16		1.0	19	21	20	15	14
	20		23	25	24	19	18	

SSSWA (washers for coil spring)



Material: SS400

Code No.		t	d	Available spring D	@/P (1~19P)					
Code	D				t=1.0	t=2.0	t=3.0	t=4.0	t=5.0	
SSSWA	5	1.0	3.0	6	76	76	76	86	95	
	7		5.0	8	76	76	76	86	95	
	9		6.0	10	76	76	76	86	95	
	11.5		7.0	12	76	76	76	86	95	
	13		8.0	14	76	76	76	86	95	
	15		2.0	9.0	16	86	86	86	95	114
	17		10.0	18	86	86	86	95	114	
	19		3.0	12.0	20	86	86	86	95	114
	21		4.0	12.0	22	95	95	95	105	124
	24		5.0	14.5	25	95	95	95	105	124
	26			15.0	27	95	95	95	105	124
	29			17.0	30	110	110	110	124	143
	34			20.0	35	110	110	110	124	143
	39			23.0	40	110	110	110	124	143



Code No. \_\_\_\_\_ t \_\_\_\_\_  
MMSRB4 - 0.1  
LLRB4 - 0.1  
SSSWA5 - 1.0



Next In stock working day P.38



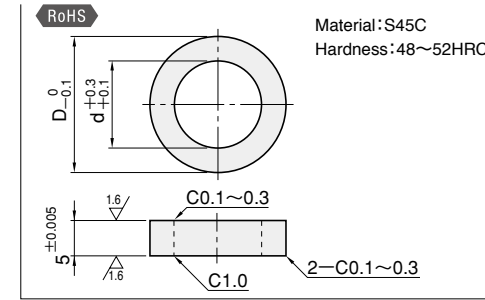
SSSWA

Quantity discount rate	1~19	20~49	50~199	200~500	501~
	100%	95%	90%	85%	Enquiry

Prices less than 1¥ are rounded off.

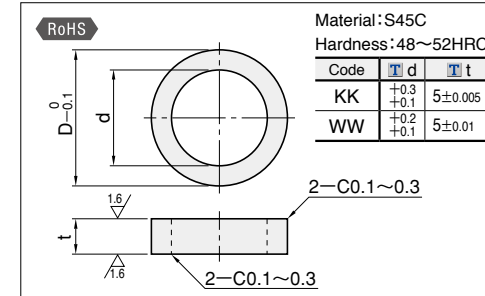
For MMSRB-LLRB, when quantity is more than 1001P, please enquire the price and delivery day.

TT·RR (spacers for busing stripper bolt)



Material: S45C  
Hardness: 48~52HRC

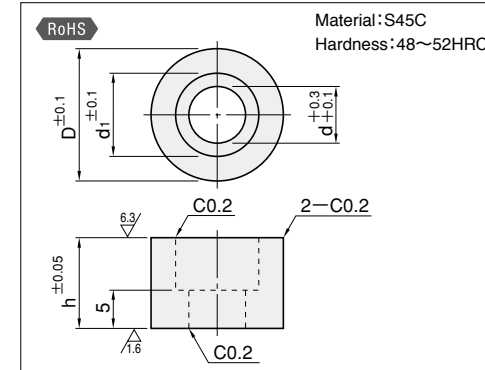
KK·WW (spacers for female screw stripper bolt)



Material: S45C  
Hardness: 48~52HRC

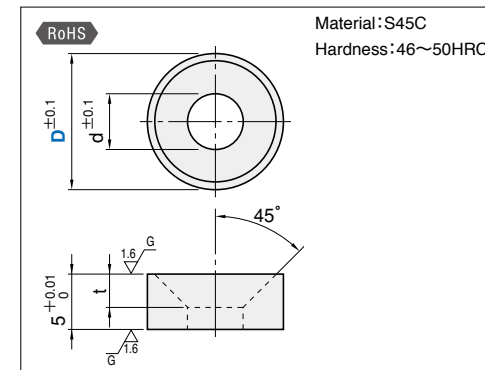
Code	t	±t
KK	+0.3	5±0.005
WW	+0.2	5±0.01

JJ (spacers for busing stripper bolt)



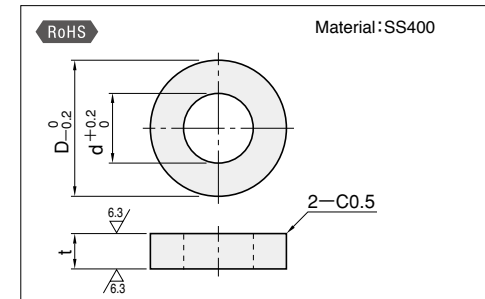
Material: S45C  
Hardness: 48~52HRC

SSTR (stop rings)



Material: S45C  
Hardness: 46~50HRC

SSRW (washers for stripper guide pin)



Material: SS400

Code No.		D	d	@/P			
Code	No.			1~49P	50~199P	200~499P	500~1000P
TT	6.5	11.5	4	67	63	60	56
	8	13	5	67	63	60	56
	10	15	6	67	63	60	56
	13	18	8	76	72	68	64
	16	21	10	86	81	77	73
	20	23	12	114	108	102	96
RR	6.5-16	16	4	95	90	85	80
	6.5-18	18		95	90	85	80
	8-18	18		95	90	85	80
	8-20	20		95	90	85	80
	8-22	22		95	90	85	80
	10-20	20		95	90	85	80
	10-22	22	6	95	90	85	80
	10-25	25		95	90	85	80
	10-27	27		95	90	85	80
	13-25	25		124	117	111	105
	13-27	27		124	117	111	105
	13-30	30		124	117	111	105
	16-30	30	10	152	144	136	129
	16-35	35		152	144	136	129
	16-40	40		152	144	136	129
	20-35	35		247	234	222	209
	20-40	40		247	234	222	209

Code No.		D	d	@/P			
Code	No.			1~49P	50~199P	200~499P	500~1000P
KK	10	10	6	57	54	51	48
	13	13	8	67	63	60	56
	16	16	10	76	72	68	64
	20	20	12	86	81	77	73
WW	10	8	5	57	54	51	48
	13	11	6	67	63	60	56
	16	14	8	76	72	68	64
	20	17	10	86	81	77	73

Code No.		D	d	d1	h	@/P			
Code	Stripper bolt diameter					1~49P	50~199P	200~499P	500~1000P
JJ	6.5	12	4	8	9	95	90	85	80
	8	14	5	9.5	10	95	90	85	80
	10	18	6	11	11	114	108	103	98
	13	24	8	14	13	152	145	138	131
	16	27	10	17.5	15	181	172	164	156
	20	32	12	19.5	17	314	297	280	266

Code No.		D	d	t	@/P			
Code	No.				1~49P	50~199P	200~499P	500~1000P
SSTR	16	5.5	3.0	124	114	111	105	
	20	6.5	3.5	152	143	137	129	
	25	8.5	4.5	190	181	171	162	

Code No.		D	d	t	@/P			
Code	No.				1~49P	50~199P	200~499P	500~1000P
SSRW	8	12	5.3	3	95	90	85	80
	10	15			95	90	85	80
	13	19	6.4	4	114	108	102	96
	16	22			114	108	102	96
	20	26			143	135	128	121
	25	30			143	135	128	121



Code No. \_\_\_\_\_  
RR8 - 18  
SSTR16



Next In stock working day P.38



For quantity more than 1001P, please enquire the price and delivery day.

# Guide for Stripper Bolts

Male Screw Stripper Bolts		Bushing Stripper Bolts		Stroke Extension Retainers for Stripper Bolt	
MMSB	P.875	SSBWH	P.876	MMSBE	P.877
MMSBL	P.876				
	In stock				

Bushing Stripper Bolts		Female Screw Stripper Bolts		Female Screw Stripper Bolts L Dimension Designated Type	
SSBTH	P.878	SSBT	P.880	SSBTL	P.881
SSBRH		SSBTN		SSBTLN	
SSBJH		SSBTC		SSBTK	
SSB		SSBTCN		SSBTKN	
			In stock		

Pressure Pins for Stripper		Pressure Pins for Stripper		Pressure Pins for Stripper	
HHSP	P.882	PPWP	P.882	SSBKP	P.883
HHSPPH					

Pressure Pins for Stripper		Hang Collars for Stripper		Hang Collars for Stripper	
SSBKS	P.883	SSBKT	P.883	SSBK	P.883

# Male Screw Stripper Bolts

**RoHS**

Material	Hardness	Code
SCM435	33~38HRC	MMSB

Surface treatment: Blacking (Fe<sub>3</sub>O<sub>4</sub>)  
 ▲ Strength class 10.9

De9	A	B	C	E	F	MxP	T
4	6.5					2.5X0.45	4.5
4.5	7	2.5	1.6	3	5		5
5	8			3.5	6	3 X 0.5	5.5
5.5							6
6	9	3	2.2	4	7	4 X 0.7	6.5
6.5	10	4	2.5	5	9	5 X 0.8	7
8	13	5	3	6	9	6 X 1.0	8.7
10	16	6	4	8	12	8 X 1.25	10.8
12	17						12.8
13	18	8	5	10	16	10 X 1.5	14
16	24	10	7	14	18	12 X 1.75	17
20	27	14	9	18	24	16 X 2.0	21

**ORDER** Code No. MMSB4 - 15 **DELIVERY** In stock working day **PRICE** P.38

Quantity discount rate **PRICE** P.38 (Prices less than 1¥ are rounded off)

Quantity	Discount Rate
1~19	100%
20~49	95%
50~199	90%
200~500	85%
501~	Enquiry

Code No.	D	L															@/P (1~19P)			
MMSB	4	15	20	25	30	35	40											58		
		10						45										75		
	4.5	15	20	25	30	35	40											58		
		10						45	50									75		
	5	15	20	25	30	35	40											65		
		10						45	50									80		
	5.5	15	20	25	30	35	40											58		
		10						45	50	55								75		
	6	15	20	25	30	35	40											80		
		10						45	50	55	60	65	70					100		
	6.5	15	20	25	30	35	40											58		
		10						45	50	55	60	65	70	75	80			70		
	8	15	20	25	30	35	40	45										70		
		10						50	55	60	65	70	75	80	85	90		85		
	10	15	20	25	30	35	40	45	50	55						95	100	110	120	113
		10						60	65	70	75									90
	12	15	20	25	30	35	40	45	50	55										108
		10						60	65	70	75					80	85	90	95	100
	13	15	20	25	30	35	40	45	50	55	60	65	70							123
		10						75	80	85	90	95	100							148
16	15	20	25	30	35	40	45	50	55	60	65	70	75	80	85				128	
	10						110	120	130										168	
20	15	20	25	30	35	40	45	50	55	60	65	70	75	80	85				223	
	10						90	95	100										233	
	15	20	25	30	35	40	45	50	55	60	65	70	75	80	85				248	
	10						110	120	130	140	150								168	
	15	20	25	30	35	40	45	50	55	60	65	70	75	80	85				333	
	10						110	120	130	140	150								353	
	15	20	25	30	35	40	45	50	55	60	65	70	75	80	85				438	
	10						110	120	130	140	150								438	

**MMSRB (spacers for male screw stripper bolt)**

**RoHS**

Material	Code
SK85	MMSRB

Tolerance table:

t	±0.02	0.5 ±0.03
0.1	±0.02	0.5 ±0.03
0.2	±0.02	1.0 ±0.04
0.3	±0.03	2.0 ±0.09

Code No.	d	t	D	@/P			
MMSRB	*4		6.5	1~49P	50~99P	100~499P	500~1000P
	4.5		7	12	10	6	6
	*5		8	12	10	6	6
	5.5	0.1	9	12	10	6	6
	*6	0.2	9	12	10	6	6
	6.5	0.3	10	12	10	6	6
	8	0.5	13	13	12	8	8
	10	1.0	16	15	14	10	9
	*12	2.0	17	19	17	12	11
	13		18	19	17	12	11
	16		24	22	20	15	14
	20		27	28	26	21	20

**ADDITION**

Add.	Code (@/P)	Spec.
L dimension alteration	LC	Lmin ≤ LC ≤ Lmax Ⓣ 0.1 ▲ F dimension is according to the standard table. For F dimension alteration, combine with FC. ▲ Cancel the surface treatment on thread part. ▲ LC dimension tolerance is ±0.05.
Thread part length alteration	FC (FC < F → -0) (FC > F → +60)	M ≤ FC ≤ M × 3 Ⓣ 0.5 ▲ For D=4, 3 ≤ FC ≤ 7.5 ▲ Combined with LC is available only.

**ORDER** Code No. MMSB4 - LC17.5 - FC3 **DELIVERY** In stock working day **PRICE** P.38

Product unit price + Addition unit price. Price discount is also available for addition. **PRICE** P.36

Stripper Bolts