

スプリングワッシャ付エジェクタロッド / エジェクタロッド用スプリングワッシャ

EJECTOR RODS with SPRING WASHER



在

| M 材質 | S 表面処理 | Code |
|-----------------------|---|-------|
| 1 S45C | 四三酸化鉄皮膜 (Fe ₃ O ₄) | EERDW |
| 2 SCM435 強度区分 12.9 | - | |
| 3 SWRH62 | - | |

ねじ部：JIS B 0207 の 2 級

| Code No. | Code | D | L | | | | | | d | t | l | M×P | @ / P (1~9P) | | |
|----------|------|----|----|----|----|----|----|------|------|----------|---------|-------|--------------|-----------|-----------|
| | | | 15 | 20 | 25 | 30 | 35 | 40 | | | | | L15・20・25 | L30・35・40 | L45・50・60 |
| EERDW | 15 | 15 | 20 | 25 | 30 | 35 | 40 | 8 | 6.2 | 10 | M4×0.7 | 265 | 265 | - | |
| | 20 | 15 | 20 | 25 | 30 | 35 | 40 | 11 | 8.6 | 12 | M6×1.0 | 315 | 315 | 365 | |
| | 25 | 15 | 20 | 25 | 30 | 35 | 40 | 14 | 11 | 14 | M8×1.25 | 380 | 460 | 460 | |
| | 30 | 15 | 20 | 25 | 30 | 35 | 40 | | | | | 420 | 510 | 615 | |
| | 32 | 20 | 25 | 30 | 35 | 40 | 45 | 50 | 60 | 460 | 570 | 705 | | | |
| | 35 | 20 | 25 | 30 | 35 | 40 | 45 | 50 | 60 | 460 | 570 | 705 | | | |
| 40 | 25 | 30 | 35 | 40 | 45 | 50 | 60 | 17 | 14.5 | 17 | M10×1.5 | 655 | 655 | 870 | |
| 50 | 30 | 35 | 40 | 45 | 50 | 60 | - | - | - | - | - | 1,040 | 1,265 | | |
| 60 | 30 | 35 | 40 | 50 | 60 | - | 20 | 16.5 | 19 | M12×1.75 | - | 1,335 | 1,560 | | |

ORDER 注文方法

| Code No. | L |
|----------|----|
| EERDW15 | 15 |

PRICE 価格

| 数量別割引価格 | ① P.20 | (1円未満切り捨て) |
|---------|--------|------------|
| 1~9 | 100% | 100% |
| 10~19 | 95% | 95% |
| 20~49 | 90% | 90% |
| 50~100 | 85% | 85% |
| 101~ | お見積もり | お見積もり |

DELIVERY 納期

在庫品 翌日発送

① P.20

ご希望により17時まで、当日発送承ります。

エジェクタロッド用スプリングワッシャ

| M 材質 | H 硬度 | Code |
|--------|----------|------|
| SWRH62 | 42~50HRC | CCBW |

| Code No. | Code | No. | d | D | h | t | @ / P | | | |
|----------|------|-----|------|------|-----|-----|-------|---------|----------|-----------|
| | | | | | | | 1~49P | 50~199P | 200~499P | 500~1000P |
| CCBW | 4 | 4 | 4.1 | 7 | 2.4 | 1.2 | 10 | 9 | 7 | 7 |
| | 6 | 6 | 6.1 | 9.9 | 3.2 | 1.6 | 10 | 9 | 7 | 7 |
| | 8 | 8 | 8.1 | 12.7 | 4 | 2 | 10 | 9 | 7 | 7 |
| | 10 | 10 | 10.2 | 16 | 5 | 2.5 | 12 | 10 | 8 | 8 |
| | 12 | 12 | 12.2 | 18 | 5 | 2.5 | 13 | 12 | 10 | 10 |

① 1001P 以上のときは別途お見積もり致します。

ORDER 注文方法

| Code No. |
|----------|
| CCBW4 |

DELIVERY 納期

在庫品 翌日発送

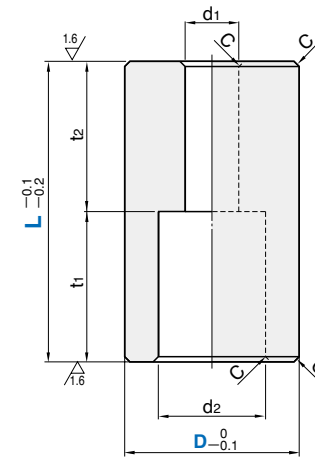
① P.20

ご希望により17時まで、当日発送承ります。

エジェクタロッド フリー指定タイプ

EJECTOR RODS - FREE SPECIFIED TYPE

| M 材質 | S 表面処理 | Code |
|------|---|------------------|
| S45C | 四三酸化鉄皮膜 (Fe ₃ O ₄) | EERDFF EERDFX |



① 上側端面の表面処理は削除されることがあります。

| Code No. | Code | D | L | C | 適用ボルト | ボルト穴 | | | |
|----------|-----------|------------|-----------|------|-------|----------------|----------------|----------------|----------------|
| | | | | | | t ₁ | t ₂ | d ₁ | d ₂ |
| EERDFF | 15 | 15 | 15~60 (①) | 0.5 | M 4 | 6.2 | - | 4.5 | 8 |
| | 20 | M 6 | | | 9 | - | 7 | 11 | |
| | 25 | 20~80 (①) | 0.5 | M 8 | 11 | - | - | 9 | 14 |
| | 30 | | | | | | | | |
| | 32 | | | | | | | | |
| | 35 | 25~80 (①) | 0.8 | M10 | 14.5 | - | - | 11 | 17 |
| 40 | | | | | | | | | |
| 50 | 30~80 (①) | 0.8 | M12 | 16.5 | - | - | 14 | 20 | |
| 60 | | | | | | | | | |
| EERDFX | 25 | 50~200 (⑤) | 1.0 | M 8 | - | 20 | - | 9 | 14 |
| | 35 | | | | | | | | |
| | 55 | | | | | | | | |
| | 65 | | | | | | | | |

ORDER 注文方法

| Code No. | L |
|----------|----|
| EERDFF15 | 15 |
| EERDFX25 | 50 |

DELIVERY 納期

3 日目発送

QUICK A @ 500/P

① P.20

① 同一サイズ3本以上クイック割引適用

PRICE 価格

| 数量別割引価格 | ① P.20 | (1円未満切り捨て) |
|---------|--------|------------|
| 1~9 | 100% | 100% |
| 10~19 | 95% | 95% |
| 20~49 | 90% | 90% |
| 50~100 | 85% | 85% |
| 101~ | お見積もり | お見積もり |

| Code No. | Code | D | @ / P (1~9P) | |
|----------|------|-------|--------------|--------|
| | | | L15~50 | L51~80 |
| EERDFF | 15 | 15 | 490 | 600 |
| | 20 | 20 | 500 | 620 |
| | 25 | 25 | 630 | 770 |
| | 30 | 30 | 750 | 890 |
| | 32 | 32 | 830 | 960 |
| | 35 | 35 | 890 | 1,150 |
| | 40 | 40 | 1,040 | 1,300 |
| 50 | 50 | 1,500 | 1,790 | |
| 60 | 60 | 1,830 | 2,360 | |

| Code No. | Code | D | @ / P (1~9P) | | | |
|----------|------|----|--------------|---------|----------|----------|
| | | | L50 | L55~100 | L105~150 | L155~200 |
| EERDFX | 25 | 25 | 630 | 770 | 940 | 1,130 |
| | 35 | 35 | 940 | 1,140 | 1,400 | 1,670 |
| | 55 | 55 | 1,980 | 2,280 | 2,620 | 3,250 |
| | 65 | 65 | 2,640 | 3,170 | 3,810 | 4,570 |

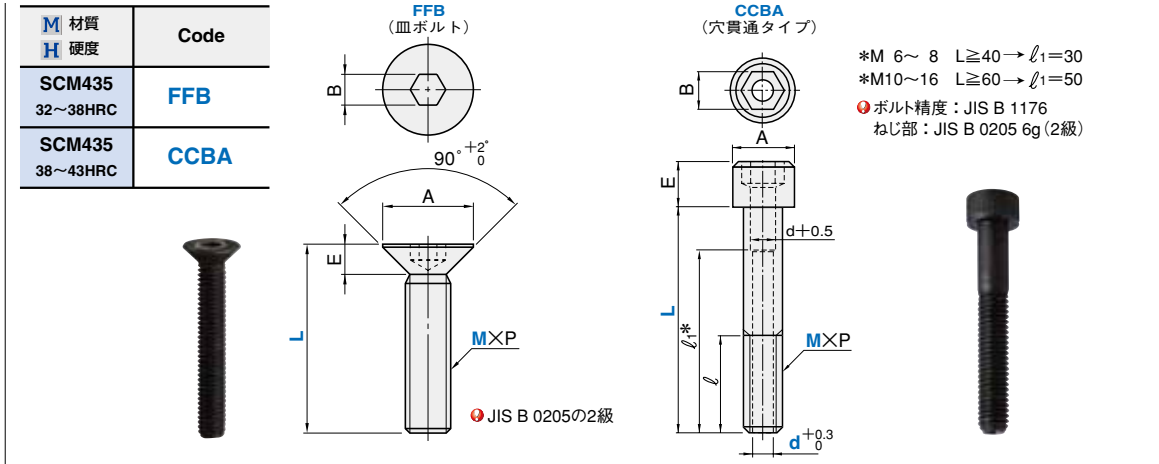
私たちは環境にやさしい商品をお届けします。

エジェクタロッド用スプリングワッシャ / エジェクタロッド フリー指定タイプ

関連部品 エジェクタスペース

六角穴付皿ボルト / 六角穴付ボルト 穴貫通タイプ

SOCKET HEAD CAP SCREWS



| Code No. | Code | M | L | M×P | A | E | B | ※ 数量 | @ / P | |
|----------|------|----|--------|-------|-----------|-----------|-----|---------|-----------|-----------|
| | | | | | | | | | ※ 数量未満 | ※ 数量以上 |
| FFB | 4 | 4 | 10 | 4×0.7 | 8 | 2.16~2.30 | 2.5 | 1,000 | 5 | 4 |
| | | | | | | | | | 15 | 4 |
| | | | | | | | | | 20 | 4 |
| | | | | | | | | | 25 | 5 |
| | | | | | | | | | 30 | 6 |
| | 5 | 5 | 10 | 5×0.8 | 10 | 2.66~2.80 | 3.0 | 400 | 5 | 4 |
| | | | | | | | | | 12 | 4 |
| | | | | | | | | | 15 | 4 |
| | | | | | | | | | 16 | 4 |
| | | | | | | | | | 20 | 4 |
| | 6 | 6 | 10 | 6×1.0 | 12 | 3.12~3.30 | 4.0 | 200 | 5 | 4 |
| | | | | | | | | | 12 | 4 |
| | | | | | | | | | 15 | 4 |
| | | | | | | | | | 16 | 4 |
| | | | | | | | | | 20 | 4 |
| 8 | 8 | 10 | 8×1.25 | 16 | 4.22~4.40 | 5.0 | 100 | 9 | 7 | |
| | | | | | | | | 12 | 8 | |
| | | | | | | | | 15 | 8 | |
| | | | | | | | | 20 | 8 | |
| | | | | | | | | 25 | 8 | |
| 10 | 10 | 10 | 10×1.5 | 20 | 5.32~5.50 | 6.0 | 100 | 13 | 10 | |
| | | | | | | | | 15 | 10 | |
| | | | | | | | | 20 | 10 | |
| | | | | | | | | 25 | 10 | |
| | | | | | | | | 30 | 10 | |

| Code No. | Code | M | L | d | M×P | A | E | B | ℓ | @ / P | |
|----------|------|----|----|---------|--------|-----|----|----|-----|-------|------|
| | | | | | | | | | | 1~49P | 50P~ |
| CCBA | 5 | 5 | 10 | 2 | 5×0.8 | 8.5 | 5 | 4 | 22 | 68 | 64 |
| | | | | | | | | | | 128 | 121 |
| | | | | | | | | | | 188 | 178 |
| | | | | | | | | | | 22 | 188 |
| | | | | | | | | | | 22 | 188 |
| | 6 | 6 | 10 | 3 | 6×1.0 | 10 | 6 | 5 | 24 | 68 | 64 |
| | | | | | | | | | | 128 | 121 |
| | | | | | | | | | | 188 | 178 |
| | | | | | | | | | | 233 | 221 |
| | | | | | | | | | | 293 | 278 |
| | 8 | 8 | 10 | 4 | 8×1.25 | 13 | 8 | 6 | 28 | 480 | 456 |
| | | | | | | | | | | 360 | 342 |
| | | | | | | | | | | 420 | 399 |
| | | | | | | | | | | 488 | 463 |
| | | | | | | | | | | 540 | 513 |
| 10 | 10 | 10 | 5 | 10×1.5 | 16 | 10 | 8 | 32 | 608 | 577 | |
| | | | | | | | | | 135 | 128 | |
| | | | | | | | | | 199 | 189 | |
| | | | | | | | | | 248 | 235 | |
| | | | | | | | | | 308 | 292 | |
| 12 | 12 | 10 | 6 | 12×1.75 | 18 | 12 | 10 | 36 | 368 | 349 | |
| | | | | | | | | | 428 | 406 | |
| | | | | | | | | | 495 | 470 | |
| | | | | | | | | | 555 | 527 | |
| | | | | | | | | | 623 | 591 | |
| 16 | 16 | 10 | 9 | 16×2.0 | 24 | 16 | 14 | 44 | 210 | 199 | |
| | | | | | | | | | 210 | 199 | |
| | | | | | | | | | 255 | 242 | |
| | | | | | | | | | 255 | 242 | |
| | | | | | | | | | 315 | 299 | |

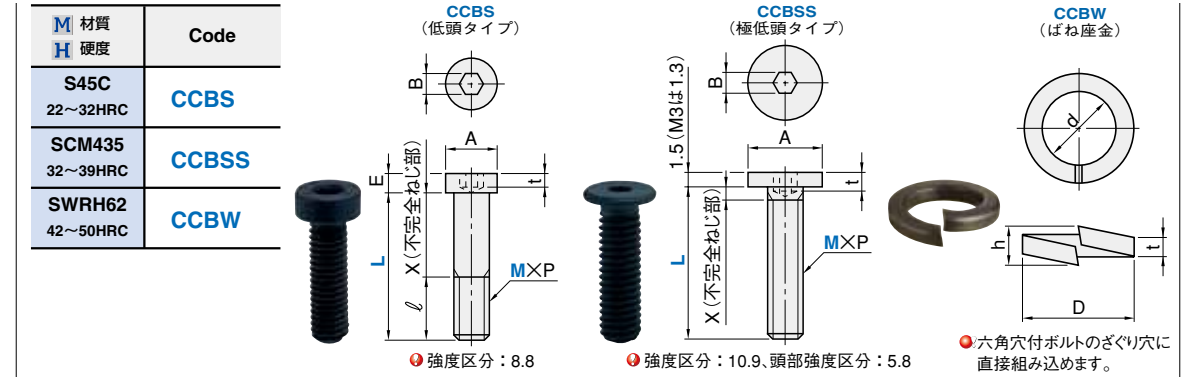
ORDER 注文方法
 Code No. FFB 4 - 10
 CCBA 5 - 10 - 2

DELIVERY 在庫品 翌日発送 P.20
 ●ご希望により17時まで、当日発送承ります。

●強度区分=ねじの引張り強さ
 (例) 12.9
 └─降伏点または耐力の最小値が、引張り強さの90%であることを示します。
 └─引張り強さの最小値が、1220N/mm²であることを示します。

低頭六角穴付ボルト / 極低頭六角穴付ボルト

LOW HEAD CAP SCREWS / EXTRA LOW HEAD CAP SCREWS



| Code No. | Code | M | L | M×P | A | E | B | X | t _{max} | ℓ | @ / P | |
|----------|------|----|---------|-------|-----|-----|------|-----|------------------|----|-------|-------|
| | | | | | | | | | | | 1~99P | 100P~ |
| CCBS | 3 | 3 | 10 | 3×0.5 | 5.5 | 2 | 2 | 1.5 | 1.5 | 12 | 13 | 10 |
| | | | | | | | | | | | 13 | 10 |
| | | | | | | | | | | | 15 | 12 |
| | | | | | | | | | | | 17 | 14 |
| | | | | | | | | | | | 17 | 14 |
| | 4 | 4 | 10 | 4×0.7 | 7 | 2.8 | 2.5 | 2.1 | 2.3 | 16 | 16 | 13 |
| | | | | | | | | | | | 16 | 13 |
| | | | | | | | | | | | 16 | 13 |
| | | | | | | | | | | | 16 | 13 |
| | | | | | | | | | | | 18 | 15 |
| | 5 | 5 | 10 | 5×0.8 | 8.5 | 3.5 | 3 | 2.4 | 2.7 | 18 | 18 | 15 |
| | | | | | | | | | | | 18 | 15 |
| | | | | | | | | | | | 18 | 15 |
| | | | | | | | | | | | 18 | 15 |
| | | | | | | | | | | | 22 | 18 |
| 6 | 6 | 10 | 6×1.0 | 10 | 4 | 4 | 3 | 3 | 20 | 20 | 17 | |
| | | | | | | | | | | 20 | 17 | |
| | | | | | | | | | | 20 | 17 | |
| | | | | | | | | | | 20 | 17 | |
| | | | | | | | | | | 22 | 18 | |
| 8 | 8 | 10 | 8×1.25 | 13 | 4 | 4 | 3 | 3 | 22 | 22 | 18 | |
| | | | | | | | | | | 22 | 18 | |
| | | | | | | | | | | 22 | 18 | |
| | | | | | | | | | | 22 | 18 | |
| | | | | | | | | | | 25 | 21 | |
| 10 | 10 | 10 | 10×1.5 | 16 | 5 | 5 | 3.75 | 3.8 | 35 | 35 | 30 | |
| | | | | | | | | | | 35 | 30 | |
| | | | | | | | | | | 35 | 30 | |
| | | | | | | | | | | 35 | 30 | |
| | | | | | | | | | | 36 | 31 | |
| 12 | 12 | 10 | 12×1.75 | 18 | 7 | 8 | 5.25 | 5 | 48 | 48 | 42 | |
| | | | | | | | | | | 48 | 42 | |
| | | | | | | | | | | 48 | 42 | |
| | | | | | | | | | | 48 | 42 | |
| | | | | | | | | | | 51 | 46 | |

| Code No. | Code | M | L | M×P | A | B | X | t _{max} | @ / P | | |
|----------|------|----|--------|-------|---|-----|-----|------------------|-------|-------|----|
| | | | | | | | | | 1~99P | 100P~ | |
| CCBS | 3 | 3 | 10 | 3×0.5 | 6 | 1.5 | 1.6 | 2 | 31 | 27 | |
| | | | | | | | | | | 31 | 27 |
| | | | | | | | | | | 31 | 28 |
| | | | | | | | | | | 26 | 22 |
| | | | | | | | | | | 27 | 23 |
| | 4 | 4 | 10 | 4×0.7 | 8 | 2 | 1.6 | 2.5 | 27 | 23 | |
| | | | | | | | | | | 28 | 24 |
| | | | | | | | | | | 29 | 25 |
| | | | | | | | | | | 30 | 26 |
| | | | | | | | | | | 31 | 27 |
| | 5 | 5 | 10 | 5×0.8 | 9 | 3 | 1.6 | 3 | 31 | 27 | |
| | | | | | | | | | | 31 | 28 |
| | | | | | | | | | | 31 | 28 |
| | | | | | | | | | | 33 | 29 |
| | | | | | | | | | | 31 | 28 |
| 6 | 6 | 10 | 6×1.0 | 10 | 3 | 2.0 | 4 | 31 | 28 | | |
| | | | | | | | | | 31 | 28 | |
| | | | | | | | | | 34 | 29 | |
| | | | | | | | | | 35 | 30 | |
| | | | | | | | | | 37 | 32 | |
| 8 | 8 | 10 | 8×1.25 | 13 | 4 | 2.5 | 5 | 77 | 68 | | |
| | | | | | | | | | 72 | 64 | |
| | | | | | | | | | 52 | 47 | |
| | | | | | | | | | 54 | 48 | |
| | | | | | | | | | 56 | 50 | |
| 10 | 10 | 10 | 10×1.5 | 16 | 5 | 3.0 | 5 | 95 | 86 | | |
| | | | | | | | | | 82 | 72 | |
| | | | | | | | | | 67 | 58 | |
| | | | | | | | | | 69 | 60 | |
| | | | | | | | | | 70 | 61 | |

▶ばね座金

| Code No. | Code | No. | d | D | h | t | @ / P | | | |
|----------|------|-----|------|------|-----|-----|-------|---------|----------|-----------|
| | | | | | | | 1~49P | 50~199P | 200~499P | 500~1000P |
| CCBW | 3 | 3 | 3.1 | 5.6 | 2.0 | 1 | 10 | 9 | 7 | 7 |
| | | | | | | | 10 | 9 | 7 | 7 |
| | | | | | | | 10 | 9 | 7 | 7 |
| | | | | | | | 10 | 9 | 7 | 7 |
| | | | | | | | 10 | 9 | 7 | 7 |
| 8 | 8 | 8 | 8.1 | 12.7 | 4 | 2 | 10 | 9 | 7 | 7 |
| | | | | | | | 10 | 9 | 7 | 7 |
| | | | | | | | 10 | 9 | 7 | 7 |
| | | | | | | | 10 | 9 | 7 | 7 |
| | | | | | | | 10 | 9 | 7 | 7 |
| 10 | 10 | 10 | 10.2 | 16 | 5 | 2.5 | 12 | 10 | 8 | 8 |
| | | | | | | | 12 | 10 | 8 | 8 |
| | | | | | | | 12 | 10 | 8 | 8 |
| | | | | | | | 12 | 10 | 8 | 8 |
| | | | | | | | 12 | 10 | 8 | 8 |
| 16 | 16 | 16 | 16.2 | 24.4 | 7 | 3.5 | 21 | 20 | 17 | 16 |
| | | | | | | | 20 | 20 | 17 | 16 |
| | | | | | | | 20 | 20 | 17 | 16 |
| | | | | | | | 20 | 20 | 17 | 16 |
| | | | | | | | 20 | 20 | 17 | 16 |
| 24 | 24 | 24 | 24.5 | 35.9 | 10 | 5 | 54 | 51 | 46 | 43 |
| | | | | | | | 54 | 51 | 46 | 43 |
| | | | | | | | 54 | 51 | 46 | 43 |
| | | | | | | | 54 | 51 | 46 | 43 |
| | | | | | | | 54 | 51 | 46 | 43 |

●1001P 以上の場合お見積もり致します。

ORDER 注文方法
 Code No. CCBS 3 - 6
 CCBS 4 - 6
 CCBW 3

DELIVERY 在庫品 翌日発送 P.20
 ●ご希望により17時まで当日発送承ります。